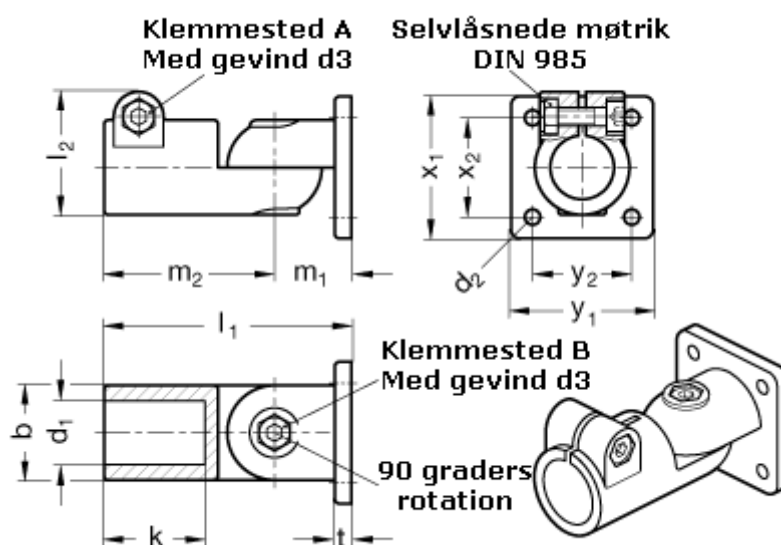


Article number: 20282B42S2SW

Description: E+G Swivel clamp connector joint
GN 282-B42-S-2-SW

Measures



| | |
|---------------|-------------|
| $b = 65$ | $m_2 = 115$ |
| $d_1 = B42$ | $t = 14$ |
| $d_2 = 11.0$ | $x_1 = 105$ |
| $d_3 = M10$ | $x_2 = 74$ |
| $k = 74.0$ | $y_1 = 105$ |
| $l_1 = 167.0$ | $y_2 = 74$ |
| $l_2 = 77.5$ | |
| $m_1 = 52.0$ | |